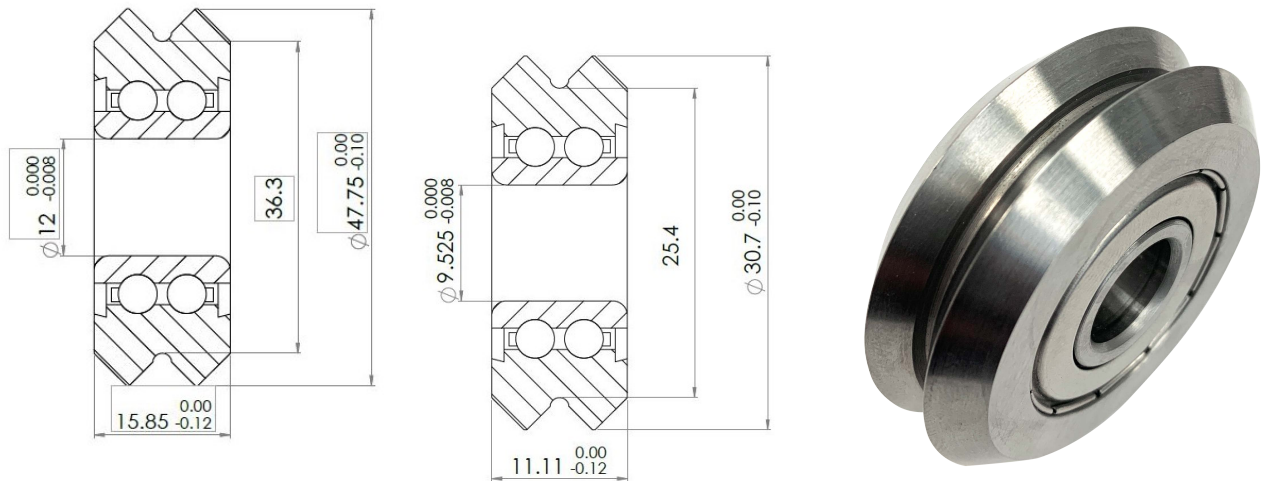


Stainless Steel V-Groove Guide Wheels

Low & High Temperature | Free Spinning | Heavy Duty Capacity
ZERO Maintenance | Lubricated for Life

*** Any standard and custom sizes available upon request, call (732)-882-0777 or email info@utausa.com for inquiries.***

UTA's Stainless Steel V-Groove Guide Wheels, processed with NSF H-1 certified Cobra Solid LubricantsTM, are designed for a wide range of temperatures from -150°F up to 660°F.



Product #	OD	ID	WIDTH
UT4029B	36.3mm	12mm	15.85mm
UT4046B	25.4mm	9.525mm	11.11mm